

Subway Bidet Wall

Subway wall mounted bidet by Villeroy & Boch.

Features: Tapware & pop-up waste supplied separately. Support frame supplied separately (see Related Products). Available as a single tap hole only.

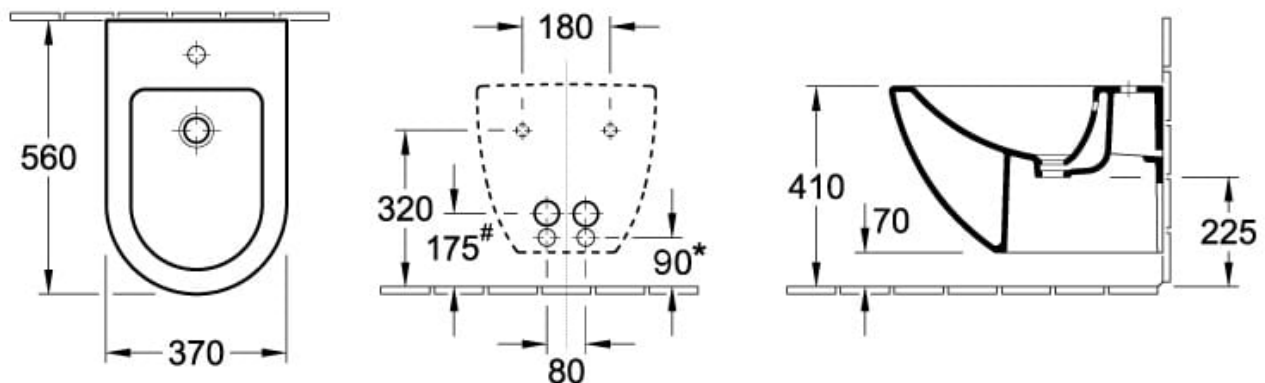
Colour: White

Options: Available with ceramicplus® surface finish for easy cleaning.

Drainage: 32mm pop-up waste is normally supplied with tapware. Alternatively, a 32mm waste can be supplied separately. Waste to be P-Trap using a bidet bottle trap.



Specifications



Installation Notes:

*Hot/Cold Water Entry Points need to be 40mm left & right of centre & 90mm from finished floor

#Waste Outlet point needs to be 40mm left OR right of centre & 175mm from finished floor