

Goccia Freestanding

Goccia features an innovative design inspired by the fluid and natural shapes of water. An unprecedented product concept which elevates matter, form and function. Designed in Italy by Gessi and hand made in Italy with Porcelain GRES.

Dimensions: 540mm W x 540mm D x 880mm H

Colour: Black

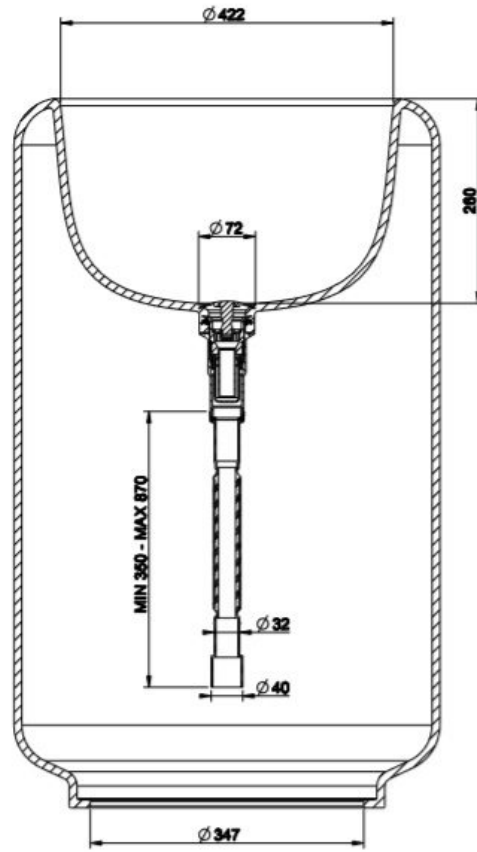
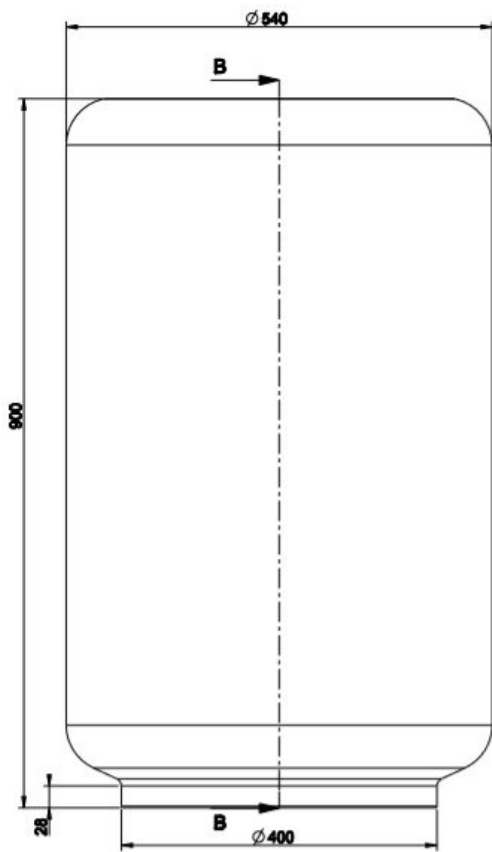
Material: Vitreous China

Waste: Supplied with 'Always Open' waste

Taphole: No taphole only



Specifications



SEZIONE B-B

