

Toto Neorest RH Smart Toilet

Luxury, elegant and seamless design. Hybrid Ecology System. TORNADO FLUSH for power flushing effect with less amount of water. CEFIONTECT technology: super smooth ion barrier glazing for a clean toilet bowl. New RIMLESS DESIGN bowl ensures easy cleaning and ultimate hygiene. AIR-IN WONDERWAVE uses air rich water droplets to produce comfortable cleaning sensation. Maximized comfort function with new wide front and pulsating cleansing. Fully equipped with comfortable rear, front and oscillating cleansing. Build-in with Motion Sensor - Microwave technology. HEATED SEAT with temperature control. PREMIST, a fine spray of mist making it difficult for dirt to adhere. EWATER+ keeps toilet bowl and nozzle clean by preventing bacteria with sanitizing effect. Auto powerful DEODORIZER activates after every usage. Adjustable WARM AIR DRYING

Installation: In-wall cistern & flush panel are *not required*

Colour: White

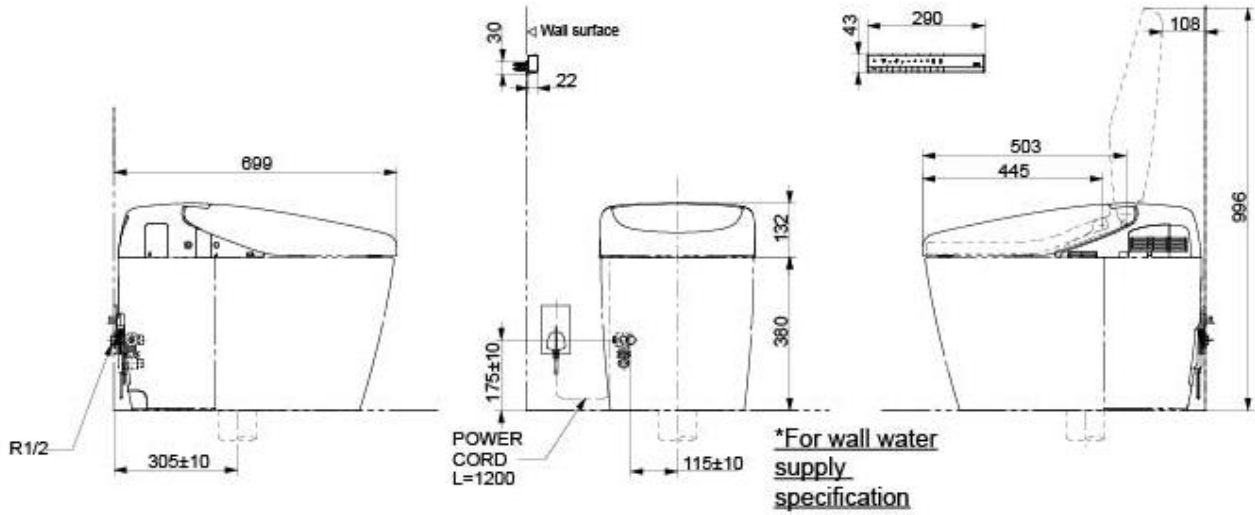
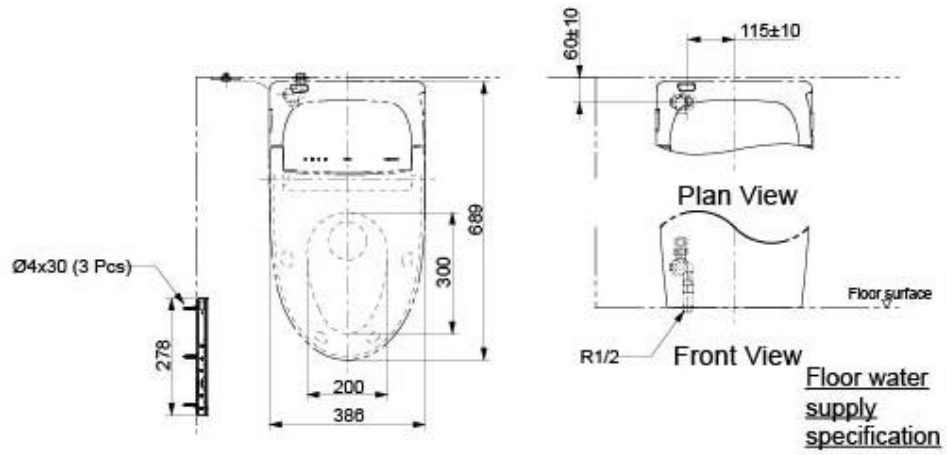
Material: Bowl -Vitreous China, Seat & Cover -Plastic, Remote Controller -Aluminium

WELS: 4 STAR Rated. 4.5 Litre Full Flush, 3 Litres Half Flush, 3.5 Litres per average flush

Specifications



CS989VC /
 TCF9768WAT



()Recommended Dimension