

Meisterstück Classic Duo 1600 Oval

Our CLASSIC DUO OVAL always possessed timeless beauty but as a Meisterstück it can now develop its full potential. Seamlessly encased in KALDEWEI steel enamel it is the archetype of the freestanding bathtub. An absolute classic! And a wonderful space in which two people can enjoy a relaxed bath together.

Free-standing oval design with sensuous elegance: perfectly formed, classic, seamless. Crafted by masters in superior KALDEWEI steel enamel, made in Germany with a 30-year guarantee.

Dimensions: 1600mm L x 700mm W x 420mm D

Colour: Alpine White

Options: Available with overflow in chrome (-06), white (-06W) Matt black (-06MB) OR Multifiller in chrome (-A6), white (-A6W) and Matt black (-A6MB)

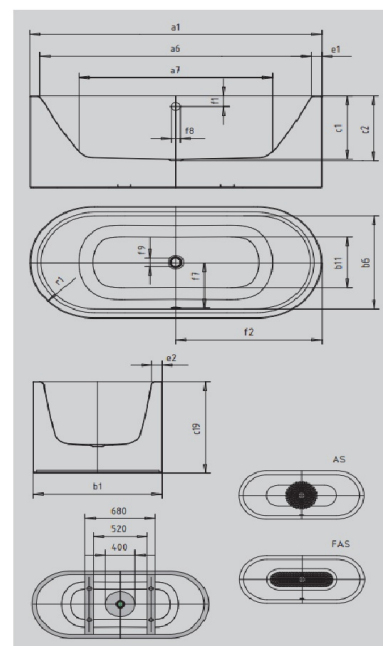
Material: Kaldewei steel enamel 3.5mm

Waste: Centrally positioned waste. Pop-up waste and overflow supplied

Specifications

Model No.		1112
External length	a _e	1600 mm
Internal length (top)	a ₆	1480 mm
Internal length (bottom)	a ₇	1030 mm
External width	b _e	700 mm
Internal width (top)	b ₆	580 mm
Internal width (bottom)	b ₇	450 mm
Internal depth	c ₁	420 mm
Depth including waste outlet	c ₂	430 mm
Height of bath	c ₃	610 mm
Width of rim (foot end)	e ₁	60 mm
Width of rim (lengthwise)	e ₂	60 mm
Distance top edge to centre of overflow hole	f ₁	70 mm
Distance bath edge to centre of drain hole	f ₂	800 mm
Distance between centre holes	f ₃	280 mm
Diameter of overflow hole	f ₄	52 mm
Diameter of drain hole	f ₅	52 mm
Radius	r ₁	350 mm
Water volume** in litres		95
Weight of the enamelled bath in kg		73,1
Anti-slip	∅	288 mm
Full anti-slip		850 x 240 mm

Subject to technical alterations, tolerances and errors. Similar illustration.
** 70 litres displacement on average.



KALDEWEI