

## Pond Basin

The Pond basin is a round top-mounted basin able to fit any furniture. The basin displays a sharp-angled edge juxtaposed to its continuous curved surfaces. When cast in bronze this adaptable shape transforms and becomes reminiscent of a church bell forged in bronze or an ancient object from the past in the zinc alloy.

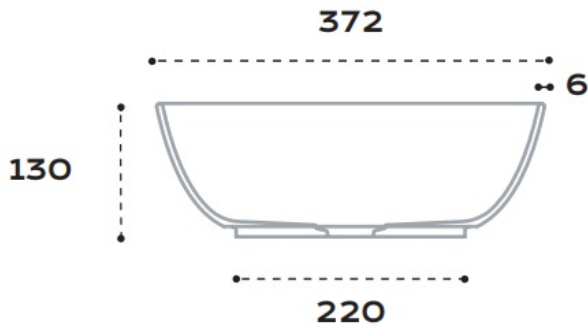
Dimensions: 372 D x 130mm H

Material: Bronze or zinc

Waste: 40mm non-overflow (supplied separately)



## Specifications



side view



top view