

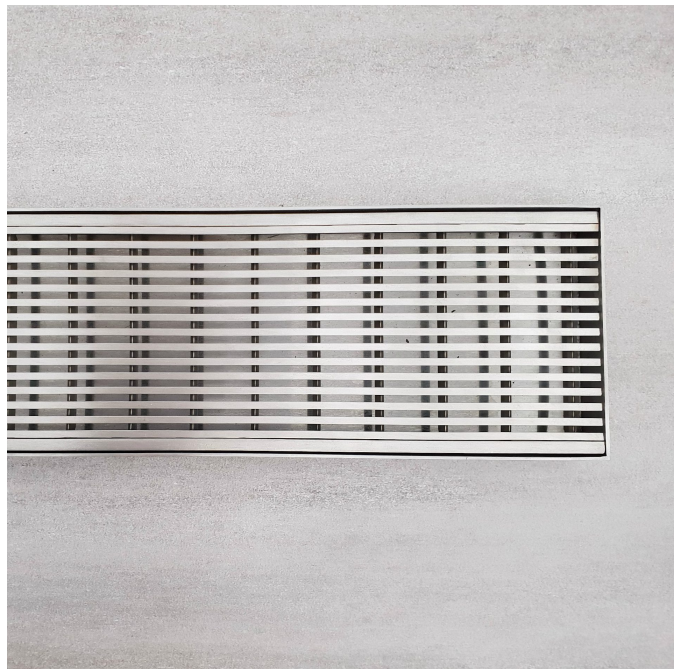
Heel Guard Grate

The Heel Guard style of grating by Bespoke Bathware is very robust and can be used in very harsh condition such as public amenities or driveways where you would require large volumes of water to be disbursed. It is also very stylish and has been used in the most prestigious and upmarket houses. With an overall depth of 22mm or 32mm, this style of grate fits within the screed depth.

Finish: 316 Stainless Steel

Options: Available in various standard lengths ranging from 600-3000mm. Longer lengths also required on request.

Specifications




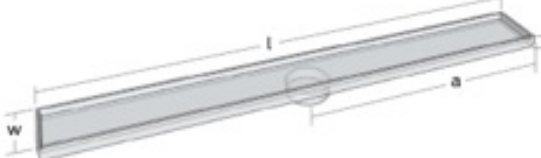
Bespoke

BATHWARE

Indoor/Outdoor Floor Grate Order Form

(All Bespoke Floor Grates are made from 316 marine grade stainless steel)
 Return via email to jason@bespokebathware.com.au or fax +61 2 807 86646

Select Style (Heel Guard or Tile Insert Floor Grate)

<input type="checkbox"/> Heel Guard Floor Grate	<input type="checkbox"/> Tile Insert Floor Grate
	
Depth 'd' = <input type="checkbox"/> 22mm <input type="checkbox"/> 32mm	Depth 'd' = <input type="checkbox"/> 22mm <input type="checkbox"/> 32mm* *Tile tray depth options for 32mm <input type="checkbox"/> 12mm <input type="checkbox"/> 20mm
w = <input type="checkbox"/> 100mm <input type="checkbox"/> Other <input type="text"/>	w = <input type="checkbox"/> 100mm <input type="checkbox"/> Other <input type="text"/>
l = <input type="text"/>	l = <input type="text"/>
Outlet position 'a' = <input type="text"/>	Outlet position 'a' = <input type="text"/>
Outlet Size <input type="checkbox"/> 88mm <input type="checkbox"/> 76mm <input type="checkbox"/> 51mm <input type="checkbox"/> 38mm NB: 88mm required for new plumbing work	Outlet Size <input type="checkbox"/> 88mm <input type="checkbox"/> 76mm <input type="checkbox"/> 51mm <input type="checkbox"/> 38mm NB: 88mm required for new plumbing work

Optional Finishes (additional cost)

- Electroplating (Brass/ Aged Brass/ Copper/ Aged Copper)
- Powdercoating (Black or White)

Optional Extras

- Matching 120 x 120mm Tile Insert Waste (80mm outlet only)