

## Pembroke 52 Basin

Elegant rimmed basin by Victoria & Albert with internal overflow. Features a special rim design that allows under mount or drop in installation into a countertop of choice. Team this with the Pembroke bath.

Designed by Meneghello Paoletti Associati.

Dimensions: 512mm W x 351mm D x 175mm H

Colour: White

Material: Made from QUARRYCAST® One piece casting of rare volcanic limestone and resin. Harder and more durable than acrylic. Easy clean high gloss finish.

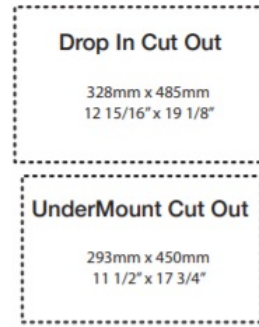
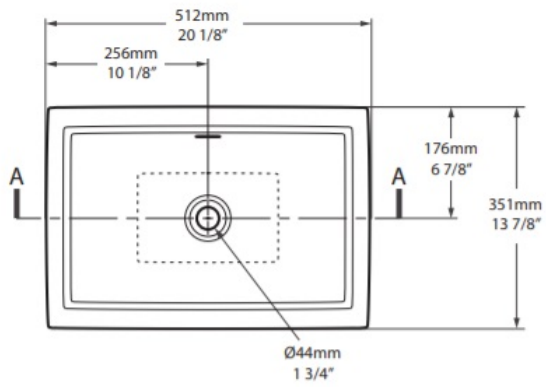
Waste: 32mm

Warranty: 25 year guarantee

Installation: Refer to installation instructions supplied with basin for additional information.

### Specifications





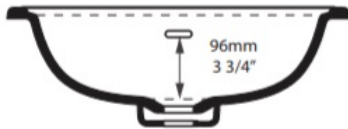
**Front view**



**Side view**



**Section AA**



\*All measurements subject to +/-5% tolerance