

Kaldera 62 Basin

The Kaldera 62 by Victoria & Albert is the largest of the Kaldera undermount basins and is rectangular in shape. Features an internal overflow. Also available in a smaller size - see Kaldera 56.

Dimensions: 615mm W x 419mm D x 124mm H

Colour: White

Material: Made from QUARRYCAST® One piece casting of rare volcanic limestone and resin. Harder and more durable than acrylic. Easy clean high gloss finish.

Waste: 32mm

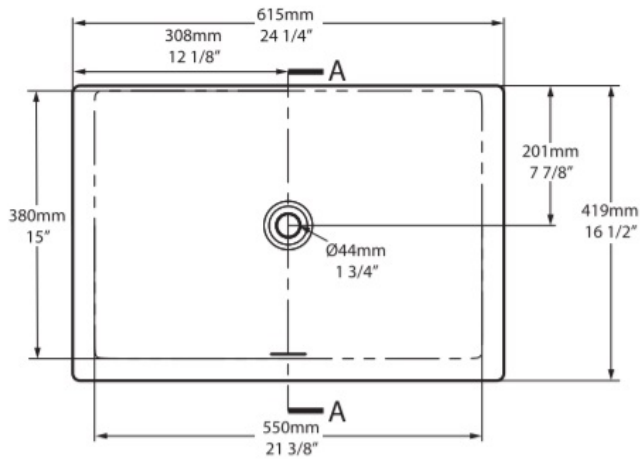
Warranty: 25 year guarantee

Installation: Refer to installation instructions supplied with basin for additional information.

Specifications



Top view



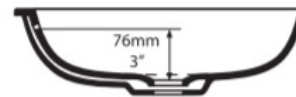
Side view



Front view



Section AA



*All measurements subject to +/-5% tolerance