

Warndon Bath

With its classically ribbed rim, the Warndon bath by Victoria & Albert adopts its form from the detailing originally found in classic stonework and embodies a rich history suitable for a range of interiors.

Following the traditional design rules of strict symmetry, this double-ended freestanding bath makes a perfect visual centrepiece for balance in the bathroom. The design falls gracefully to the floor allowing all waste pipe work to be hidden and maintaining a sleek bathroom finish.

The Warndon takes its name from the small town on the outskirts of the famous English Cathedral City of Worcester.

Dimensions: 1702 L x 801 W x 598mm H x 472mm D

Colour: White. Exterior can be painted in six standard paint finishes and V&A are now offering a spectrum of 194 RAL colours, in either gloss or matt finishes. View V&A's [colour finishes](#) page for more information.

Material: QUARRYCAST®. One piece casting of rare volcanic limestone and resin. Harder and more durable than acrylic. Easy clean high gloss finish.

Volume: 263 litres

Weight: 85kg

Waste: 40mm

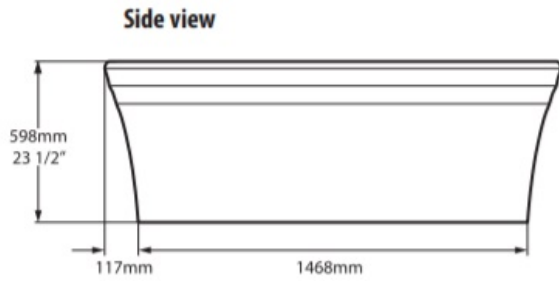
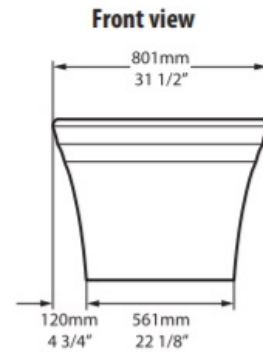
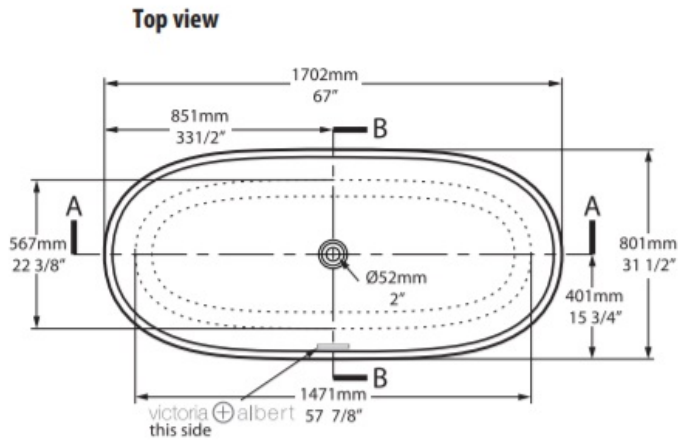
Warranty: 25 year guarantee

Installation: Instructions supplied with bath for additional information.

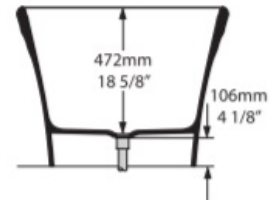
Specifications



WAR-N-xx-NO



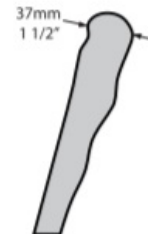
Section BB
 Shown with K12 waste kit



Section AA



Rim detail



*All measurements subject to +/-5% tolerance
 *Overflow hole not drilled