

Roxburgh Bath

The Roxburgh by Victoria & Albert is a superbly comfortable slipper bath. Longer than the traditional Victorian slipper, featuring both lion's paw and modern feet options.

Dimensions: 1704 L x 809 W x 641-752mm H x 440mm D

Colour: White. Exterior can be painted in six standard paint finishes and V&A are now offering a spectrum of 194 RAL colours, in either gloss or matt finishes. View V&A's [colour finishes](#) page for more information.

Options: Feet are available in White Quarrycast®, White Metal, Polished Chrome, Polished Brass, Polished Nickel or Brushed Nickel finishes.

Material: QUARRYCAST®. One piece casting of rare volcanic limestone and resin. Harder and more durable than acrylic. Easy clean high gloss finish.

Volume: 200 litres

Weight: 60kg

Waste: 40mm

Warranty: 25 year guarantee

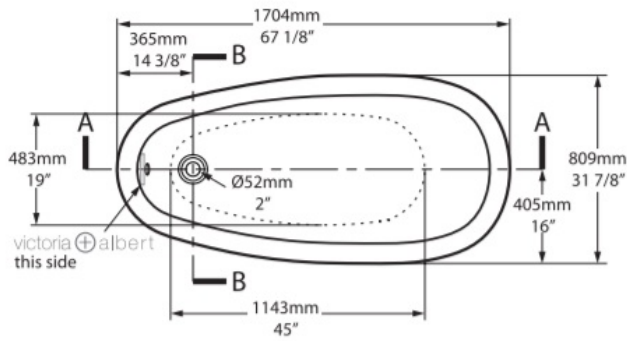
Installation: Instructions supplied with bath for additional information.

Specifications



Note: Optional overflow hole needs to be drilled on site in Australia by installer

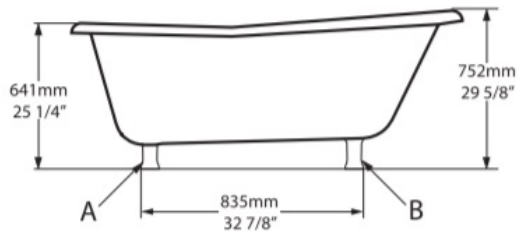
Top view



Front view

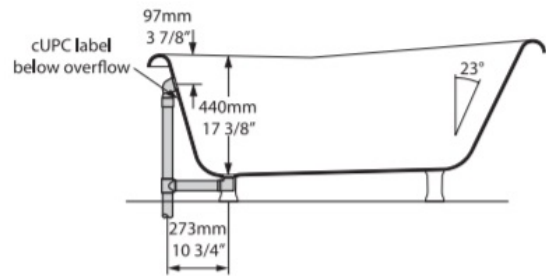


Side view

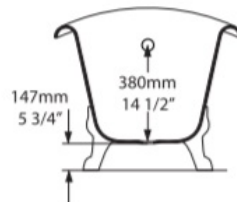


Section AA

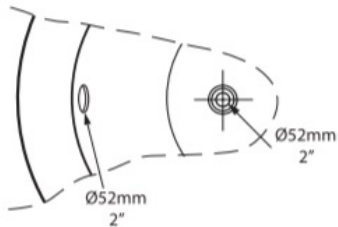
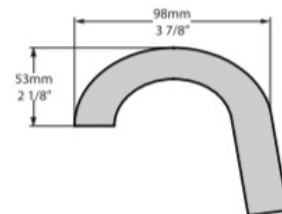
Shown with optional K50 waste kit



Section BB



Rim detail



*All measurements subject to +/-5% tolerance