

Pembroke Bath

Named after the birthplace of England's first Tudor king, the Pembroke soaking tub by Victoria & Albert evokes a regal elegance, accented by crisp corners and a neat rim. A deep and dual-ended bath, the Pembroke provides a luxurious soaking experience. Designed by Meneghello Paoletti Associati.

Dimensions: 1765mm L x 798mm W x 578mm H x 442mm D

Colour: White. Exterior can be painted in six standard paint finishes and V&A are now offering a spectrum of 194 RAL colours, in either gloss or matt finishes. View V&A's [colour finishes](#) page for more information.

Material: QUARRYCAST®. One piece casting of rare volcanic limestone and resin. Harder and more durable than acrylic. Easy clean high gloss finish. Exterior can be painted.

Volume: 350 litres

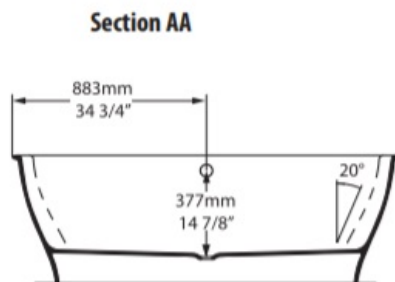
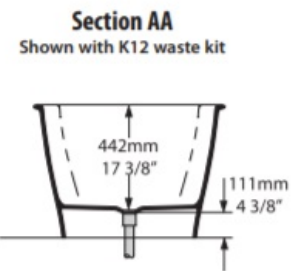
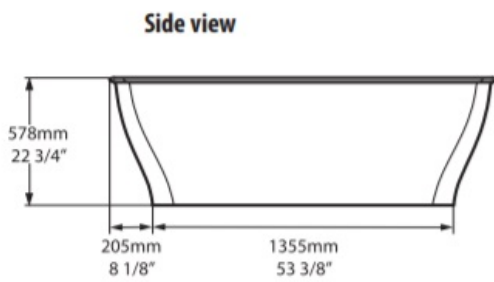
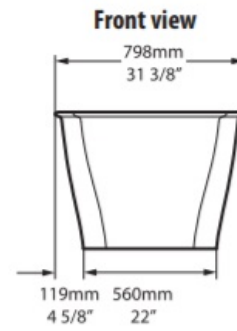
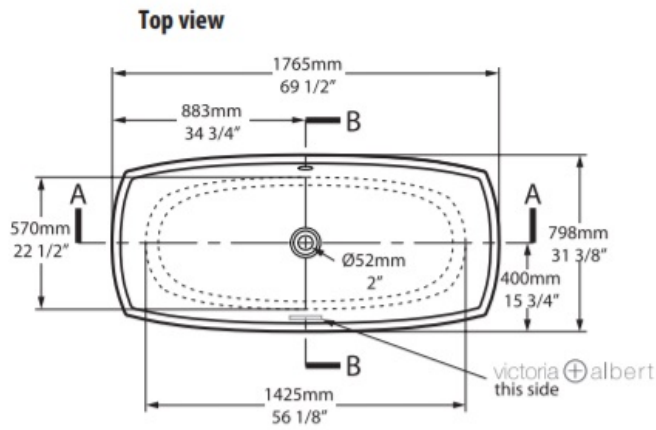
Weight: 88kg

Waste: 40mm

Warranty: 25 year guarantee Installation: Refer to installation instructions supplied with bath for additional information.

Specifications





*All measurements subject to +/-5% tolerance
 *Overflow hole not drilled