

Marlborough Bath

The Marlborough by Victoria & Albert is a large luxurious double ended slipper bath. For those wanting to make the ultimate statement in their bathroom, be it modern or classic.

Dimensions: 1890mm L x 860mm W x 728mm H x 429mm D

Colour: White. Exterior can be painted in six standard paint finishes and V&A are now offering a spectrum of 194 RAL colours, in either gloss or matt finishes. View V&A's [colour finishes](#) page for more information.

Material: QUARRYCAST®. One piece casting of rare volcanic limestone and resin. Harder and more durable than acrylic. Easy clean high gloss finish.

Volume: 241 litres

Weight: 80kg

Waste: 40mm

Warranty: 25 year guarantee

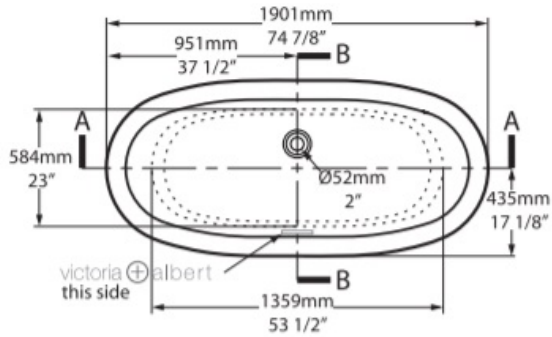
Installation: Instructions supplied with bath for additional information.

Specifications



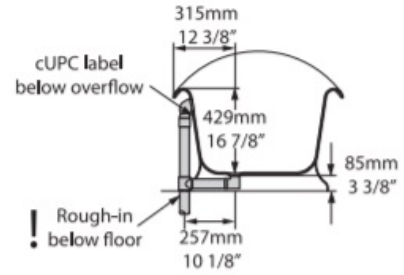
Note: Optional overflow hole needs to be drilled on site in Australia by installer

Top view

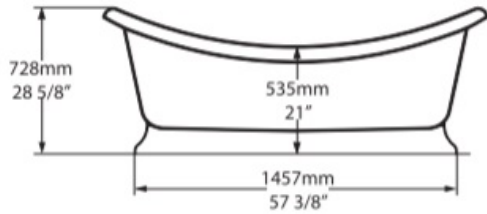


Section BB

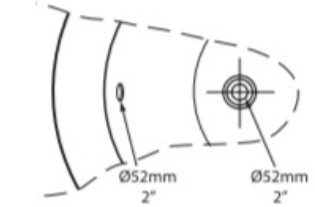
Shown with optional K50 waste kit



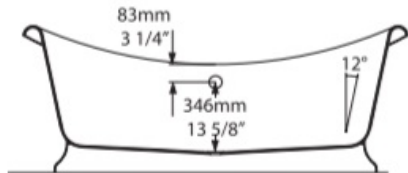
Side view



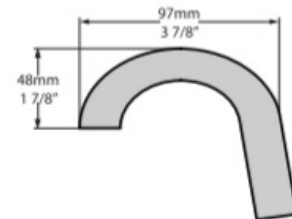
Front view



Section AA



Rim detail



*All measurements subject to +/-5% tolerance