

Hampshire Bath

The Hampshire is the classic Edwardian bath for the most discerning bather. This single ended roll top reclines at the perfect angle for maximum comfort.

Dimensions: 1705mm L x 780mm W x 600mm H x 479mm D

Colour: White. Exterior can be painted in six standard paint finishes and V&A are now offering a spectrum of 194 RAL colours, in either gloss or matt finishes. View V&A's [colour finishes](#) page for more information.

Material: QUARRYCAST®. One piece casting of rare volcanic limestone and resin. Harder and more durable than acrylic. Easy clean high gloss finish.

Options: Feet are available in White Quarrycast®, White Metal, Polished Chrome, Polished Brass, Polished Nickel or Brushed Nickel finishes.

Volume: 228 litres

Weight: 63kg

Waste: 40mm

Warranty: 25 year guarantee

Installation: Instructions supplied with bath for additional information.

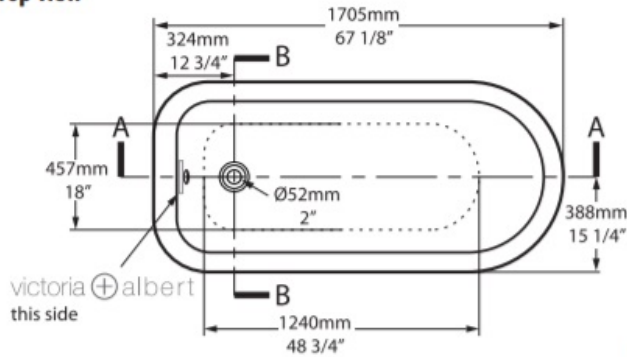
Specifications



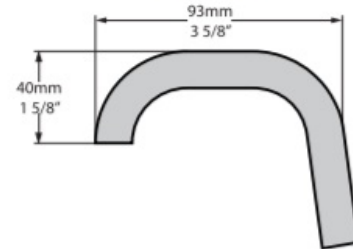
HAM-N-xx-NO

Note: Optional overflow hole needs to be drilled on site in Australia by installer

Top view

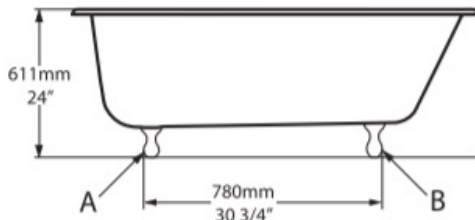


Rim Detail



victoria ⊕ albert
 this side

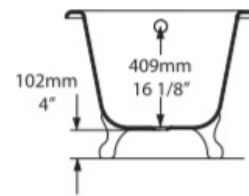
Side view



Front view

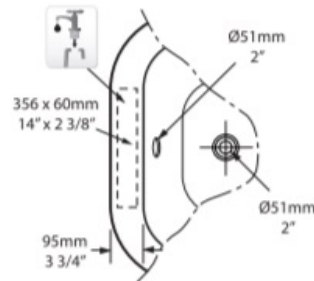
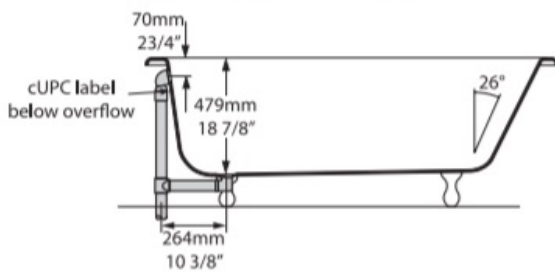


Section BB



Section AA

Shown with optional K50 waste kit



Tap holes can be drilled by installer
 Armaturelöcher können leicht vom Installateur
 gebohrt werden
 Les trous de robinetterie peuvent être percés
 par l'installateur
 Pueden ser perforados por el instalador
 I fori per rubinetti possono essere
 perforati dall'installatore

*All measurements subject to +/-5% tolerance