

## Carmen Vessel Basin

The Carmen by Ulia has a rectangular shape that flowers outwards towards the top. The satin finish of its solid body enhances the beauty of this stylish design.

Dimensions: 545mm W x 350mm D x 120mm H

Colour: White

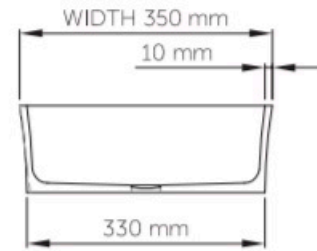
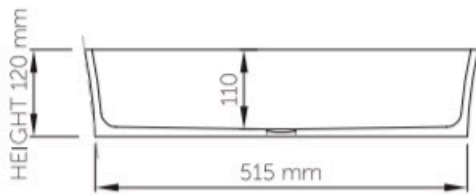
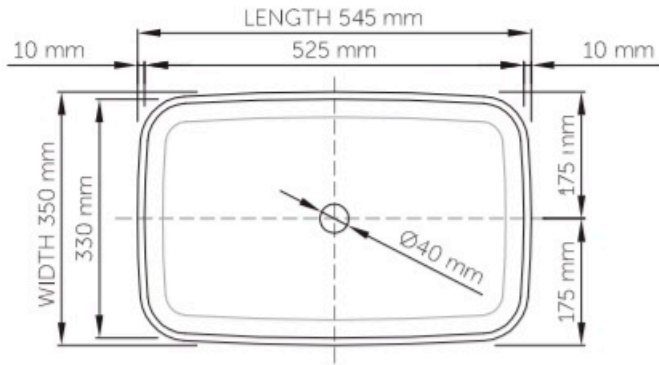
Material: DADOquartz is solid and void-free with no fissures or veins, manufactured from resin and quartz aggregates. It has a silky finish.

Waste: 32mm non-overflow waste (supplied separately)

Tapholes: No taphole only

### Specifications





Product code SWMBAS46-M/P **thin rim**

Size (l) x (w) x (h): 545mm x 350mm x 120mm  
 Top to waste: 110mm  
 Overflow: No overflow  
 Material: DADOquartz®  
 Colour: White/Custom  
 Finish: Matte/Polished

Base dimensions: 515mm x 330mm  
 Rim width: 10mm  
 Waste diameter: 40mm  
 Weight: 10kg  
 Packing dimensions: 580mm x 380mm x 150mm  
 Shipping mass: 10.5kg  
 Warranty: Lifetime